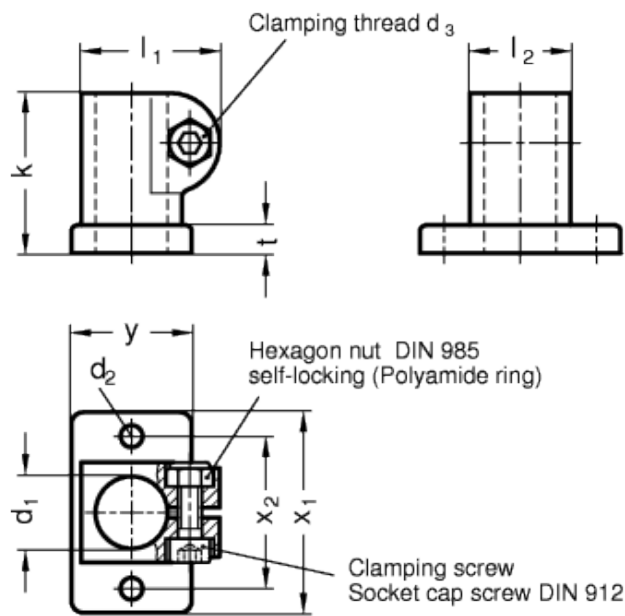


# GN 162.3-NI

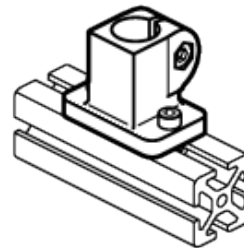
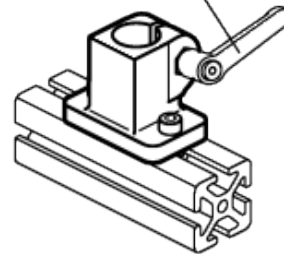
Base plate connector clamps



INOX  
Stainless Steel



Adjustable clamping lever GN 911



## technical informations

### Material

AISI CF-8 stainless steel, matte shot-blasted.

### Clamping screws

Identification no. 2: with AISI 304 stainless steel-clamping screw DIN 912 and nut DIN 985.

### Assembly

The standard clamping bolts are socket cap screws DIN 912, supplied assembled. They can be replaced by clamping kits GN 911 (description see table of dimensions).

## Features and applications

The clamping bores of the base plate connector clamps GN 162.3 with 2 mounting holes are machined and designed for construction tubings GN 990 or DIN 2391, DIN 2395 and DIN 2462 respectively.

The standard clamping screws are socket cap screws DIN 912. They can be used in place of adjustable clamping levers GN 911 (see table of dimensions).

Base plate connector clamps GN 162.3 are also suitable for mounting on profile systems.

## Accessories

- Construction tubings GN 990.
- Linear actuators GN 291.
- Linear actuators GN 292.
- Clamping kits GN 911

Standard Elements	Main dimensions										Clamping kits	Weight
Description	d <sub>1</sub>	d <sub>2</sub>	d <sub>3</sub>	k	l <sub>1</sub>	l <sub>2</sub>	t	x <sub>1</sub>	x <sub>2</sub>	y	For d <sub>3</sub>	g
GN 162.3-B12-2-NI	B12	5.5	M6	40	34.5	25	7	50	38	30	GN 911-M6-22	194
GN 162.3-B14-2-NI	B14	5.5	M6	40	34.5	25	7	50	38	30	GN 911-M6-22	185
GN 162.3-B15-2-NI	B15	5.5	M6	40	34.5	25	7	50	38	30	GN 911-M6-22	186
GN 162.3-B16-2-NI	B16	5.5	M6	40	34.5	25	7	50	38	30	GN 911-M6-22	174
GN 162.3-B18-2-NI	B18	5.5	M6	40	34.5	25	7	50	38	30	GN 911-M6-22	162



STANDARD MACHINE ELEMENTS WORLDWIDE